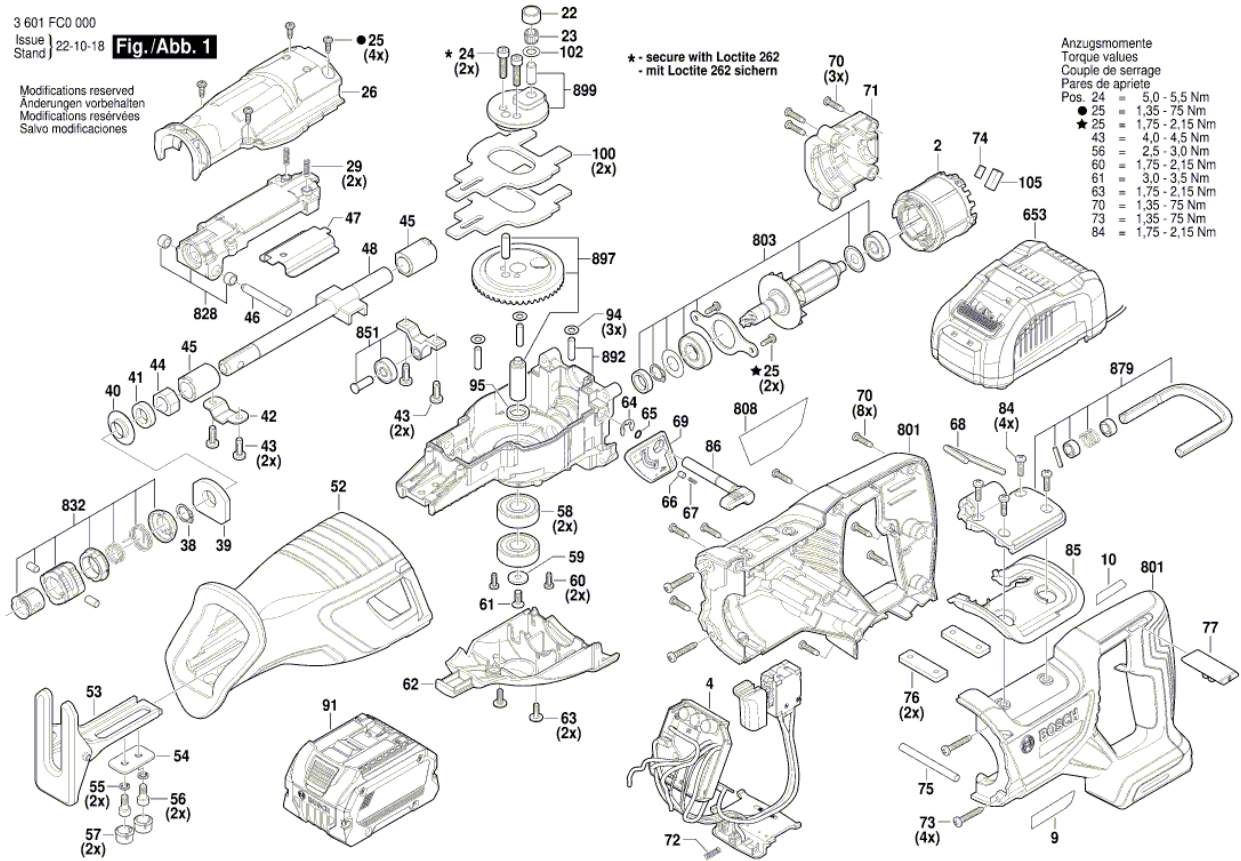


Illustration - Type - E



Spare parts list

Item	Part Number	Description	Illustration
2	1 619 PB7 516	Stator	1
4	1 619 PB7 518	Electronics Module	1
9	1 619 PB9 245	Label	1
10	1 619 PB9 258	Label	1
22	1 619 PB7 526	Roller Drum	1
23	1 619 PB7 527	Needle bearing	1
24	1 619 PB7 528	Hex Socket Head Cap Screw	1
25	1 619 PB7 529	Screw	1
26	1 619 PB7 530	Gear Cover	1
29	1 619 PB7 533	Compression Spring	1
38	1 619 PB7 542	Circlip	1
39	1 619 PB7 543	Seal Ring	1
40	1 619 PB7 544	Flange	1
41	1 619 PB7 545	Felt seal ring	1
42	1 619 PB7 546	Clamping Plate	1
43	1 619 PB7 547	Screw	1
44	1 619 PB7 548	Seal Ring	1
45	1 619 PB7 549	Guide Sleeve	1
46	1 619 PB7 550	Pin	1
47	1 619 PB7 551	Aligning plate	1
48	1 619 PB7 552	Plunger Bar	1
52	1 619 PB7 556	Holding Sleeve	1
53	1 619 PB7 557	Base Plate	1
54	1 619 PB7 558	Clamp block	1
55	1 619 PB7 559	Spring Washer	1
56	1 619 PB7 560	Hex Socket Head Cap Screw	1
57	1 619 PB7 561	Cover	1
58	1 619 PB7 562	groove ball bearing	1
59	1 619 PB7 563	Plain Washer	1
60	1 619 PB7 564	Hex Socket Head Cap Screw	1
61	1 619 PB7 565	Countersunk-Head Screw	1
62	1 619 PB7 566	Support	1
63	1 619 PB7 567	Tapping Screw	1
64	1 619 PB7 568	Circlip	1
65	1 619 PB7 569	O-Ring	1

Spare parts list

Item	Part Number	Description	Illustration
66	1 619 PB7 570	Cap	1
67	1 619 PB7 571	Spring	1
68	1 619 PB7 572	Hexagon Socket Screw Key	1
69	1 619 PB7 573	Indicator Plate	1
70	1 619 PB7 574	Tapping Screw	1
71	1 619 PB7 575	Motor cover	1
72	1 619 PB7 576	Spring	1
73	1 619 PB7 577	Tapping Screw	1
74	1 619 PB7 578	Rubber Bar	1
75	1 619 PB7 579	Piston Pin	1
76	1 619 PB7 580	Connecting Plate	1
77	1 619 PB7 581	Locking Level	1
84	1 619 PB7 588	Cross Recessed-Head Screw	1
85	1 619 PB7 589	Base Plate	1
86	1 619 PB7 590	Control Knob	1
91	1 607 A35 0AT	Battery Pack GBA 18V 8.0Ah ProCore SCM	1
91	1 607 A35 0LR	Battery Pack GBA 18V 5.5 Ah XL ProCore SCM	1
95	1 619 PB7 599	Plain Washer	1
100	1 619 PB7 604	Balance Weights	1
102	1 619 PB7 606	Plain Washer	1
105	1 619 PB8 776	Rubber Plug	1
653	2 607 225 921	Charger EU GAL 1880 CV 230/14,4-18V	1
801	1 619 PB7 609	Housing Assembly	1
803	1 619 PB7 610	Armature assembly	1
808	1 619 PB9 261	Nameplate	1
828	1 619 PB7 611	Pendulum assembly	1
832	1 619 PB7 612	Toolholder	1
851	1 619 PB7 613	Bearing set	1
879	1 619 PB7 614	Assembly Hook	1
892	1 619 PB7 615	Gear Housing	1
897	1 619 PB7 616	Bevel Gear Set	1
899	1 619 PB7 617	Eccentric Unit	1